

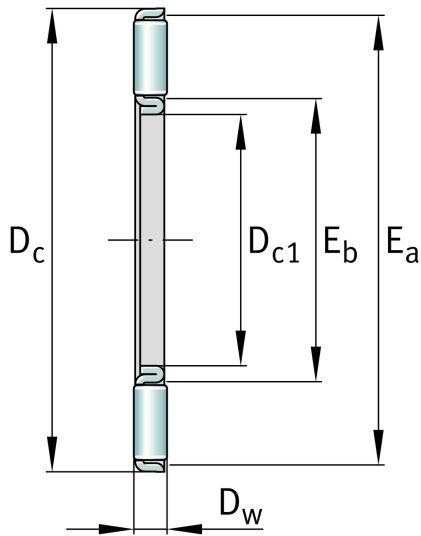
AXK150190-A/0-10

推力滚针和保持架组件

舍弗勒ID：
0000359559065

技术信息

主要尺寸和性能数据



D_{c1}	150 mm	Bore diameter cage
D_c	190 mm	Outside diameter
D_w	5 mm	Rolling element diameter
E_a	187 mm	Raceway dimension
E_b	156 mm	Raceway dimension
c_a	143,000 N	Basic dynamic load rating, axial
c_{0a}	960,000 N	Basic static load rating, axial
c_{ua}	84,000 N	Fatigue load limit, axial
n_G	1,690 1/min	Limiting speed
n_{gr}	660 N	Reference speed
	0.002 kg	重量

温度范围

AS150190	Axial bearing washer
----------	----------------------

