

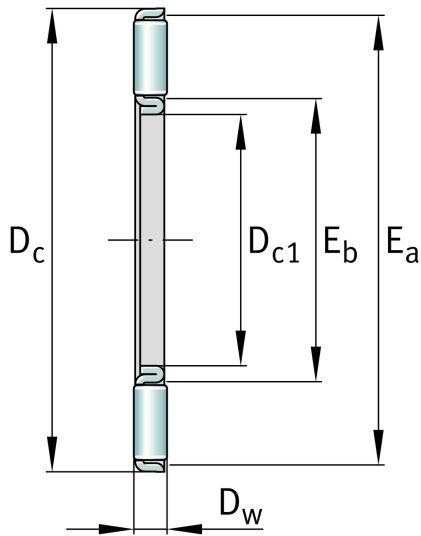
AXK3552-A/0-10

推力滚针和保持架组件

舍弗勒ID：
0000355219065

技术信息

主要尺寸和性能数据



D_{c1}	35 mm	Bore diameter cage
D_c	52 mm	Outside diameter
D_w	2 mm	Rolling element diameter
E_a	51 mm	Raceway dimension
E_b	39 mm	Raceway dimension
c_a	17,900 N	Basic dynamic load rating, axial
c_{0a}	81,000 N	Basic static load rating, axial
c_{ua}	8,400 N	Fatigue load limit, axial
n_G	6,600 1/min	Limiting speed
n_{gr}	2,800 N	Reference speed
	9.325 g	重量

温度范围

AS3552	Axial bearing washer
--------	----------------------

