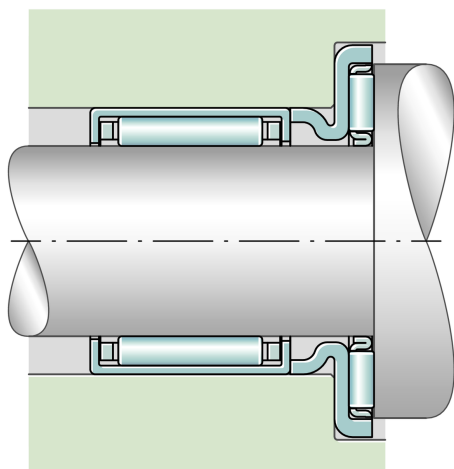
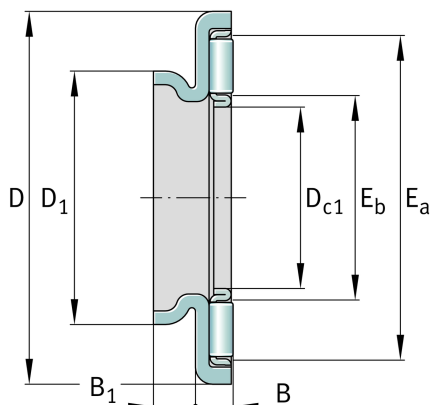


AXW12

推力滚针轴承

舍弗勒ID：
0001615940000

技术信息



主要尺寸和性能数据

D_{c1}	12 mm	Bore diameter cage
D	29 mm	Outside diameter bearing washer
B	3.2 mm	Height bearing
B_1	3 mm	Height centering collar
D_1	16 mm	Outside diameter centering collar
E_a	25 mm	Raceway dimension
E_b	14 mm	Raceway dimension
C	9,900 N	Basic dynamic load rating, axial
C_{0a}	29,000 N	Basic static load rating, axial
c_{ua}	2,950 N	Fatigue load limit, axial
n_G	15,200 1/min	Limiting speed
n_{gr}	8,100 1/min	Reference speed
	9.8 g	重量

温度范围

AS1226	Axial bearing washer
HK1210	Drawn cup needle roller bearings for radial bearing arrangement
BK1210	Needle bush
NK16/12-TV	Needle roller bearings with inner ring
NK16/16-TV	Needle roller bearings with inner ring
NK9/12-TV	Needle roller bearings with out inner ring
NK9/16-TV	Needle roller bearings with out inner ring

