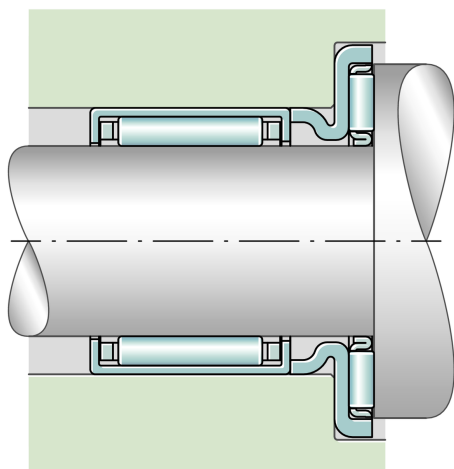
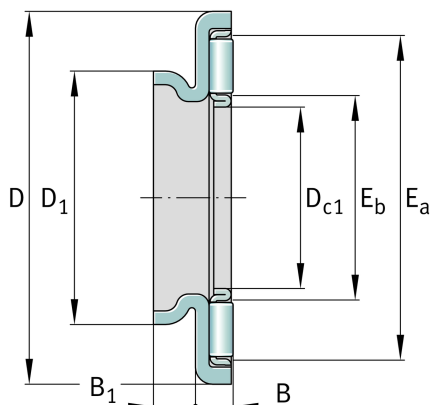
**AXW17**

推力滚针轴承

舍弗勒ID：
0001616320000

技术信息



主要尺寸和性能数据

D_{c1}	17 mm	Bore diameter cage
D	33 mm	Outside diameter bearing washer
B	3.2 mm	Height bearing
B_1	3.5 mm	Height centering collar
D_1	23 mm	Outside diameter centering collar
E_a	29 mm	Raceway dimension
E_b	19 mm	Raceway dimension
C	12,000 N	Basic dynamic load rating, axial
C_{0a}	39,500 N	Basic static load rating, axial
c_{ua}	4,000 N	Fatigue load limit, axial
n_G	12,300 1/min	Limiting speed
n_{gr}	5,800 1/min	Reference speed
	11.54 g	重量

温度范围

AS1730	Axial bearing washer
HK1712	Drawn cup needle roller bearings for radial bearing arrangement
NK15/16	Needle roller bearings with out inner ring
NK15/20	Needle roller bearings with out inner ring

