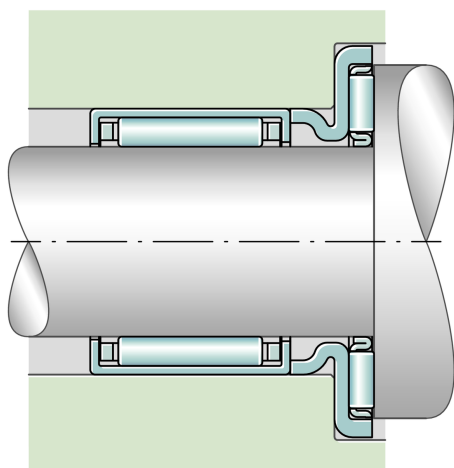
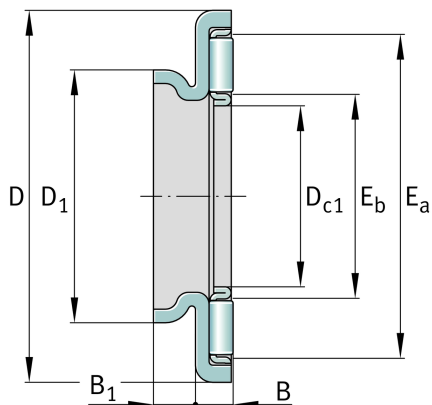


## AXW40

推力滚针轴承

舍弗勒ID：  
0001621240000

### 技术信息



### 主要尺寸和性能数据

$D_{c1}$	40 mm	Bore diameter cage
$D$	63 mm	Outside diameter bearing washer
$B$	4.2 mm	Height bearing
$B_1$	4 mm	Height centering collar
$D_1$	47 mm	Outside diameter centering collar
$E_a$	58 mm	Raceway dimension
$E_b$	45 mm	Raceway dimension
$C$	28,000 N	Basic dynamic load rating, axial
$C_{0a}$	114,000 N	Basic static load rating, axial
$c_{ua}$	12,100 N	Fatigue load limit, axial
$n_G$	5,800 1/min	Limiting speed
$n_{gr}$	2,800 1/min	Reference speed
	40 g	重量

### 温度范围

AS4060	Axial bearing washer
HK4018-RS	Drawn cup needle roller bearings turned
HK4016	Drawn cup needle roller bearings
HK4020	Drawn cup needle roller bearings
HK4012	Drawn cup needle roller bearings for radial bearing arrangement
BK4020	Needle bush
NKIS25	Needle roller bearings with inner ring
NA4906	Needle roller bearings with inner ring
NA6906	Needle roller bearings with inner ring
NKI32/20	Needle roller bearings with inner ring
NKI32/30	Needle roller bearings with inner ring
NK37/20	Needle roller bearings with out inner ring
NK37/30	Needle roller bearings with out inner ring
NKS32	Needle roller bearings with out inner ring
RNA4906	Needle roller bearings with out inner ring
RNA6906	Needle roller bearings with out inner ring

