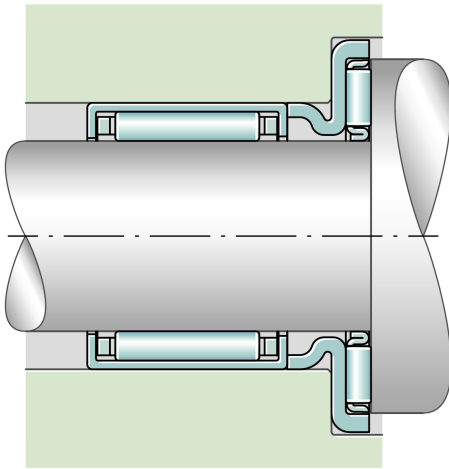
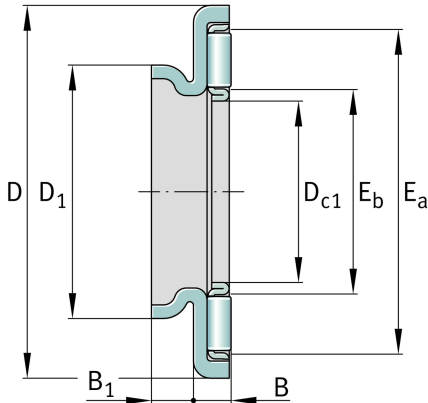


## AXW45

推力滚针轴承

舍弗勒ID：  
0001621320000

### 技术信息



### 主要尺寸和性能数据

$D_{c1}$	45 mm	Bore diameter cage
$D$	68 mm	Outside diameter bearing washer
$B$	4.2 mm	Height bearing
$B_1$	4 mm	Height centering collar
$D_1$	52 mm	Outside diameter centering collar
$E_a$	63 mm	Raceway dimension
$E_b$	50 mm	Raceway dimension
$C$	30,000 N	Basic dynamic load rating, axial
$C_{0a}$	128,000 N	Basic static load rating, axial
$c_{ua}$	13,600 N	Fatigue load limit, axial
$n_G$	5,200 1/min	Limiting speed
$n_{gr}$	2,490 1/min	Reference speed
	43.38 g	重量

### 温度范围

AS4565	Axial bearing washer
HK4518-RS	Drawn cup needle roller bearings turned
HK4520	Drawn cup needle roller bearings
HK4516	Drawn cup needle roller bearings for radial bearing arrangement
BK4520	Needle bush
NKIS30	Needle roller bearings with inner ring
NA49/32	Needle roller bearings with inner ring
NA69/32-ZW	Needle roller bearings with inner ring
NK42/20	Needle roller bearings with out inner ring
NK42/30	Needle roller bearings with out inner ring
NKS37	Needle roller bearings with out inner ring
RNA49/32	Needle roller bearings with out inner ring
RNA69/32-ZW	Needle roller bearings with out inner ring

