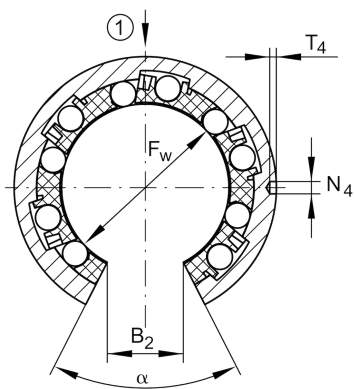
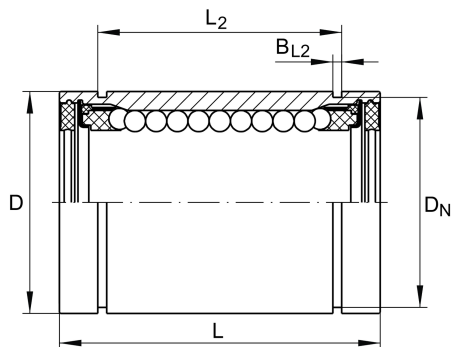


KBO12-PP

直线球轴承

舍弗勒ID：
0016968230000

技术信息



主要尺寸和性能数据

F_w	12 mm	Bore diameter of ball complement
D	22 mm	Outside diameter
L	32 mm	length
	h12	Tolerance
C_{max}	600 N	load capacity dyn.
$C_{0 max}$	445 N	load capacity stat.
	28.99 g	重量

安装尺寸

B_2	7.7 mm	Width of sector opening
L_2	22.6 mm	
	H13	Tolerance
B_{L2}	1.3 mm	
D_N	21 mm	
T_4	1.2 mm	
N_4	2.2 mm	
N_2	1.5 mm	
α	78 °	Angle of sector opening
β	64 °	
	4	Number of rows balls